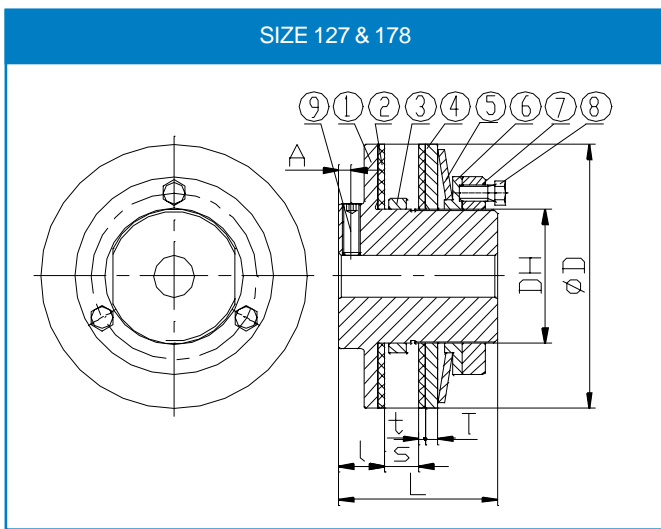
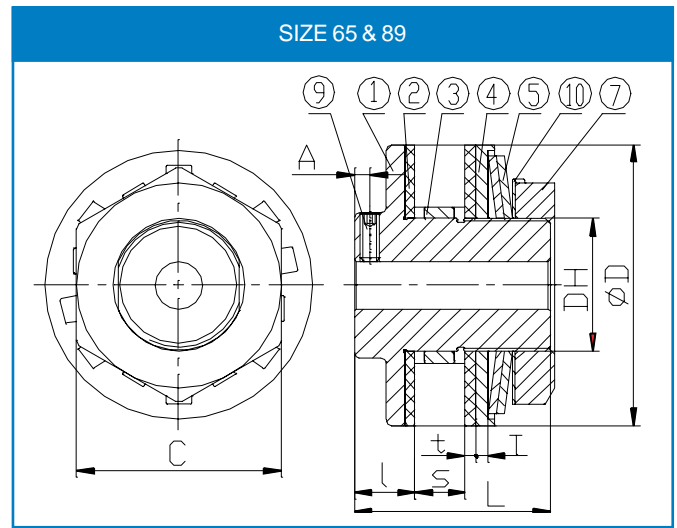
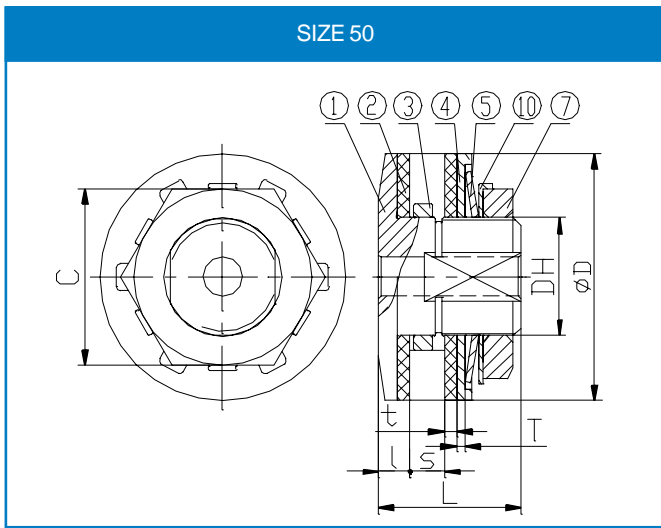


# Torque Limiters



**Description of parts**

- ① Hub
- ② Friction Disc
- ③ Bush
- ④ Pressure Plate
- ⑤ Disc Spring
- ⑥ Pilot Plate
- ⑦ Adjustment Nut
- ⑧ Adjustment Bolt
- ⑨ Set Screw
- ⑩ Lock Washer

## Dimensions and Capacity for Sizes 50 to 178

Size	Torque Range (kgf·m)	Plain Bore	Max. Bore	Bush Length	O.D. of Bush	Bore for Center Member	D	DH	L	I	T	t	S (Max)	A	C	Adjust. Nut	Adjust. Bolt	Set Screw	Weight (kg)
50-1	0.3 ~ 1.0	8	14	3.8	30	-0.020	50	24	29	6.5	1.6	2.5	7	-	36	M24 P1.0	-	-	0.248
50-2	0.7 ~ 2.0			-0.041		0													0.256
65-1	0.7 ~ 2.8	10	22	6.0	41	-0.025	65	35	48	16.0	4.0	3.2	9	4.0	50	M35 P1.5	-	M5	0.721
65-2	1.4 ~ 5.5			-0.050		0													0.739
89-1	2.0 ~ 7.6	17	25	6.0	49	-0.025	89	42	62	19.0	4.0	3.2	16	5.0	65	M42 P1.5	-	M6	2.417
89-2	3.5 ~ 15.2			-0.050		0													2.477
127-1	4.8 ~ 21.4	20	42	6.0	74	-0.030	127	65	76	22.0	6.0	3.2	16	6.0	-	M65 P1.5	M8 P1.0 3pcs	M8	3.692
127-2	9.0 ~ 42.9			-0.060		0													3.858
178-1	11.8 ~ 58.1	30	64	8.0	105	-0.036	178	95	98	24.0	7.0	3.2	29	6.5	-	M95 P1.5	M10 P1.25 3pcs	M10	9.033
178-2	22.8 ~ 111			-0.071		0													9.436

1 kgf.m = 9.80665 Nm