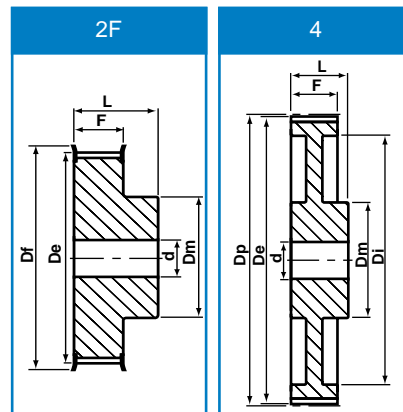


HTD® Pilot Bore

5mm Pitch 5M-09 (9mm Wide Belt)

Number of Teeth	Type	De	Dp	Df	Dm	Di	F	L	d	Weight Kg
12	2F	17.96	19.10	23.0	13.0	-	14.5	20.0	6	0.02
14	2F	21.14	22.28	25.0	14.0	-	14.5	20.0	6	0.03
15	2F	22.73	23.87	28.0	16.0	-	14.5	20.0	6	0.04
16	2F	24.32	25.46	28.0	16.5	-	14.5	20.0	6	0.05
18	2F	27.51	28.65	32.0	20.0	-	14.5	20.0	6	0.07
20	2F	30.69	31.83	37.0	23.0	-	14.5	22.5	6	0.09
21	2F	32.28	33.42	38.0	24.0	-	14.5	22.5	6	0.11
22	2F	33.87	35.01	38.0	25.5	-	14.5	22.5	6	0.11
24	2F	37.06	38.20	43.0	27.0	-	14.5	22.5	6	0.14
26	2F	40.24	41.38	44.0	30.0	-	14.5	22.5	6	0.17
28	2F	43.42	44.56	48.0	30.5	-	14.5	22.5	6	0.20
30	2F	46.60	47.75	51.0	35.0	-	14.5	22.5	6	0.23
32	2F	49.79	50.93	54.0	38.0	-	14.5	22.5	8	0.27
36	2F	56.16	57.30	60.0	38.0	-	14.5	22.5	8	0.32
40	2F	62.52	63.66	70.0	38.0	-	14.5	22.5	8	0.40
44	4	68.89	70.03	-	38.0	-	14.5	25.5	8	0.17
48	4	75.25	76.39	-	45.0	-	14.5	25.5	8	0.18
60	4	94.35	95.49	-	45.0	-	14.5	25.5	8	0.23
72	4	113.45	114.59	-	45.0	-	14.5	25.5	8	0.27



5mm Pitch 5M-15 (15mm Wide Belt)

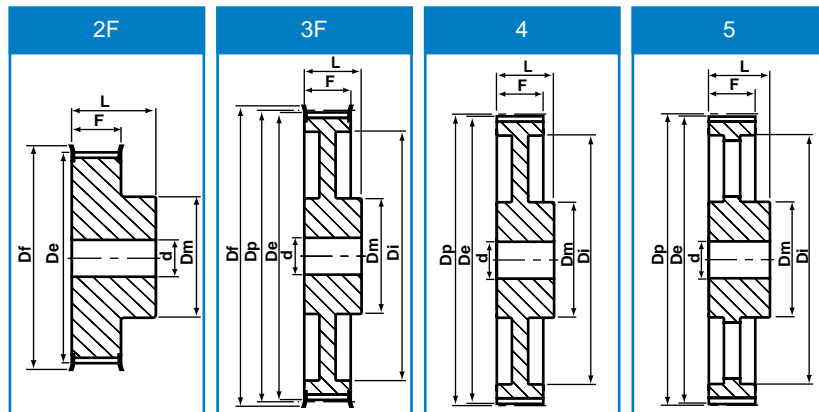
Number of Teeth	Type	De	Dp	Df	Dm	Di	F	L	d	Weight Kg
12	2F	17.96	19.10	23.0	13.0	-	20.5	26.0	6	0.03
14	2F	21.14	22.28	25.0	14.0	-	20.5	26.0	6	0.04
15	2F	22.73	23.87	28.0	16.0	-	20.5	26.0	6	0.05
16	2F	24.32	25.45	28.0	17.0	-	20.5	26.0	6	0.06
18	2F	27.51	28.65	32.0	20.0	-	20.5	26.0	6	0.08
20	2F	30.69	31.83	37.0	23.0	-	20.5	26.0	6	0.11
21	2F	32.28	33.42	38.0	24.0	-	20.5	26.0	6	0.13
22	2F	33.87	35.01	38.0	26.0	-	20.5	26.0	6	0.14
24	2F	37.06	38.20	43.0	27.0	-	20.5	28.0	6	0.18
26	2F	40.24	41.38	44.0	30.0	-	20.5	28.0	6	0.22
28	2F	43.42	44.56	48.0	31.0	-	20.5	28.0	6	0.25
30	2F	46.60	47.75	51.0	35.0	-	20.5	28.0	6	0.30
32	2F	49.79	50.93	54.0	38.0	-	20.5	28.0	8	0.35
36	2F	56.16	57.30	60.0	38.0	-	20.5	28.0	8	0.42
40	2F	62.52	63.66	70.0	38.0	-	20.5	28.0	8	0.52
44	4	68.89	70.03	-	38.0	-	20.5	30.0	8	0.22
48	4	75.25	76.39	-	38.0	-	20.5	30.0	8	0.28
60	4	94.35	95.49	-	50.0	-	20.5	30.0	8	0.30
72	4	113.45	114.59	-	50.0	-	20.5	30.0	8	0.36

All dimensions in millimetres unless otherwise stated. Every effort has been taken to ensure that the data listed in this catalogue is correct. Challenge accepts no liability for any inaccuracies or damage caused

HTD[®] Pilot Bore

5mm Pitch 5M-25 (25mm Wide Belt)

Number of Teeth	Type	De	Dp	Df	Dm	Di	F	L	d	Weight Kg
12	2F	17.96	19.10	23.0	13.0	-	30.5	36.0	6	
14	2F	21.14	22.28	25.0	14.0	-	30.5	36.0	6	
15	2F	22.73	23.87	28.0	16.0	-	30.5	36.0	6	
16	2F	24.32	25.45	28.0	16.5	-	30.5	36.0	6	
18	2F	27.51	28.65	32.0	20.0	-	30.5	36.0	6	
20	2F	30.69	31.83	37.0	23.0	-	30.5	36.0	6	
21	2F	32.28	33.42	38.0	24.0	-	30.5	38.0	6	
22	2F	33.87	35.01	38.0	25.5	-	30.5	38.0	6	
24	2F	37.06	38.20	43.0	27.0	-	30.5	38.0	6	
26	2F	40.24	41.38	44.0	30.0	-	30.5	38.0	6	
28	2F	43.42	44.56	48.0	30.5	-	30.5	38.0	6	
30	2F	46.60	47.75	51.0	35.0	-	30.5	38.0	6	
32	2F	49.79	50.93	54.0	38.0	-	30.5	38.0	8	
36	2F	56.16	57.30	60.0	38.5	-	30.5	38.0	8	
40	2F	62.52	63.66	70.0	38.0	-	30.5	38.0	8	
44	4	68.89	70.03	-	38.0	-	30.5	40.0	8	
48	4	75.25	76.39	-	38.0	-	30.5	40.0	8	
60	4	94.35	95.49	-	50.0	-	30.5	40.0	8	
72	4	113.45	114.59	-	50.0	-	30.5	40.0	8	



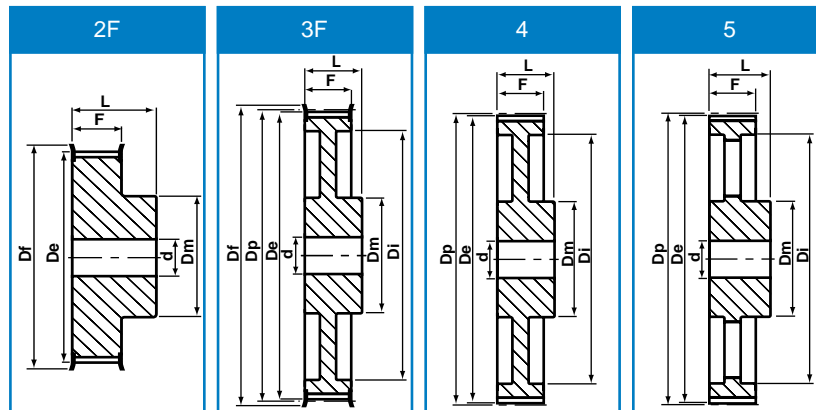
8mm Pitch 8M-20 (20mm Wide Belt)

Number of Teeth	Type	De	Dp	Df	Dm	Di	F	L	d	Weight Kg
22	2F	54.65	56.02	60.0	43.0	-	28.0	38	12	0.54
24	2F	59.75	61.12	67.0	45.0	-	28.0	38	12	0.65
26	2F	64.85	66.21	70.0	50.0	-	28.0	38	12	0.80
28	2F	70.08	71.30	75.0	50.0	-	28.0	38	16	0.87
30	2F	75.13	76.39	83.0	55.0	-	28.0	38	16	1.02
32	2F	80.16	81.49	87.0	60.0	-	28.0	38	16	1.20
34	2F	85.22	86.58	91.0	70.0	-	28.0	38	16	1.40
36	2F	90.30	91.67	97.0	70.0	-	28.0	38	16	1.55
38	2F	95.39	96.77	102.0	75.0	-	28.0	38	16	1.65
40	2F	100.49	101.86	106.0	75.0	-	28.0	38	16	1.74
44	2F	110.67	112.05	120.0	75.0	-	28.0	38	16	2.10
48	2F	120.86	122.23	128.0	75.0	-	28.0	38	16	2.44
56	3F	141.23	142.60	150.0	80.0	117	28.0	38	16	2.60
64	3F	161.60	162.97	168.0	80.0	137	28.0	38	16	2.90
72	3F	181.97	183.35	192.0	80.0	158	28.0	38	16	3.10
80	4	202.35	203.72	-	90.0	180	28.0	38	16	3.80
90	4	227.81	229.18	-	90.0	204	28.0	38	16	4.20
112	5	283.83	285.21	-	90.0	260	28.0	38	16	5.20
144	5	365.32	366.69	-	90.0	341	28.0	38	20	7.50
168	5	426.44	427.81	-	100.0	402	28.0	38	20	10.00
192	5	487.55	488.92	-	100.0	463	28.0	38	20	14.40

HTD® Pilot Bore

8mm Pitch 8M-30 (30mm Wide Belt)

Number of Teeth	Type	De	Dp	Df	Dm	Di	F	L	d	Weight Kg
22	2F	54.65	56.02	60.0	43.0	-	38.0	48	12	0.69
24	2F	59.75	61.12	67.0	45.0	-	38.0	48	12	0.84
26	2F	64.85	66.21	70.0	50.0	-	38.0	48	12	1.00
28	2F	70.08	71.30	75.0	50.0	-	38.0	48	16	1.12
30	2F	75.13	76.39	83.0	55.0	-	38.0	48	16	1.32
32	2F	80.16	81.49	87.0	60.0	-	38.0	48	16	1.53
34	2F	85.22	86.58	91.0	70.0	-	38.0	48	16	1.80
36	2F	90.30	91.67	97.0	70.0	-	38.0	48	16	1.99
38	2F	95.39	96.77	102.0	75.0	-	38.0	48	16	2.27
40	2F	100.49	101.86	106.0	75.0	-	38.0	48	16	2.40
44	2F	110.67	112.05	120.0	75.0	-	38.0	48	16	2.80
48	2F	120.86	122.23	128.0	75.0	-	38.0	48	16	3.20
56	3F	141.23	142.60	150.0	80.0	117	38.0	48	16	3.60
64	3F	161.60	162.97	168.0	80.0	138	38.0	48	16	4.30
72	3F	181.97	183.35	192.0	80.0	158	38.0	48	16	4.80
80	4	202.35	203.72	-	90.0	180	38.0	48	16	5.10
90	4	227.81	229.18	-	90.0	204	38.0	48	16	5.70
112	5	283.83	285.21	-	90.0	260	38.0	48	16	6.80
144	5	365.32	366.69	-	90.0	341	38.0	48	20	9.30
168	5	426.44	427.81	-	100.0	402	38.0	48	20	11.40
192	5	487.55	488.92	-	100.0	463	38.0	48	20	16.00



8mm Pitch 8M-50 (50mm Wide Belt)

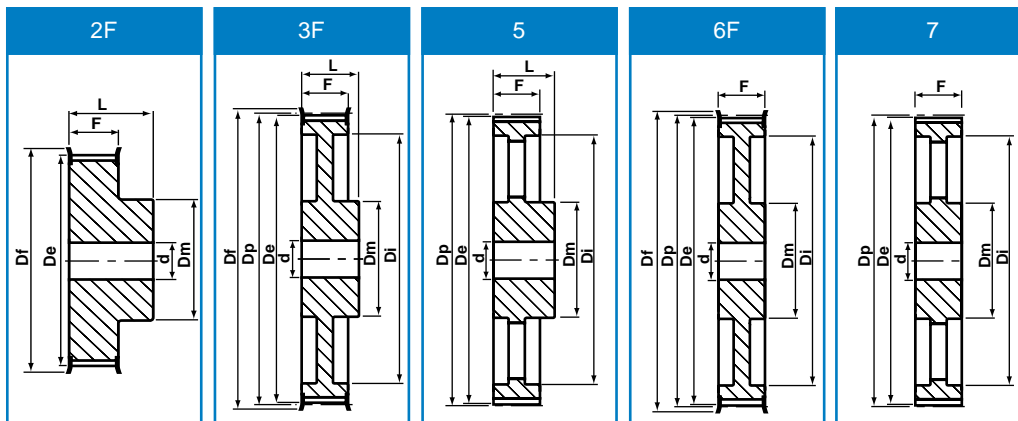
Number of Teeth	Type	De	Dp	Df	Dm	Di	F	L	d	Weight Kg
22	2F	54.65	56.02	60.0	43.0	-	60.0	70	12	1.00
24	2F	59.75	61.12	67.0	45.0	-	60.0	70	12	1.23
26	2F	64.84	66.21	70.0	50.0	-	60.0	70	12	1.50
28	2F	70.08	71.30	75.0	50.0	-	60.0	70	16	1.67
30	2F	75.13	76.39	83.0	55.0	-	60.0	70	16	1.97
32	2F	80.16	81.49	87.0	60.0	-	60.0	70	16	2.27
34	2F	85.22	86.58	91.0	70.0	-	60.0	70	16	2.69
36	2F	90.30	91.67	97.0	70.0	-	60.0	70	16	2.97
38	2F	95.39	96.77	102.0	75.0	-	60.0	70	16	3.23
40	2F	100.49	101.86	106.0	75.0	-	60.0	70	18	3.50
44	2F	110.67	112.05	120.0	75.0	-	60.0	70	18	3.90
48	2F	120.86	122.23	128.0	80.0	-	60.0	70	18	4.30
56	6F	141.23	142.60	150.0	90.0	117	60.0	60	18	5.00
64	6F	161.60	162.97	168.0	100.0	137	60.0	60	18	5.60
72	6F	181.97	183.35	192.0	100.0	158	60.0	60	18	6.80
80	7	202.35	203.72	-	110.0	180	60.0	60	18	6.90
90	7	227.81	229.18	-	110.0	204	60.0	60	18	8.60
112	7	283.83	285.21	-	110.0	260	60.0	60	18	9.60
144	7	365.32	366.69	-	110.0	341	60.0	60	20	13.80
168	7	426.44	427.81	-	120.0	402	60.0	60	20	16.00
192	7	487.55	488.92	-	130.0	463	60.0	60	20	22.40

All dimensions in millimetres unless otherwise stated. Every effort has been taken to ensure that the data listed in this catalogue is correct. Challenge accepts no liability for any inaccuracies or damage caused

HTD® Pilot Bore

8mm Pitch 8M-85 (85mm Wide Belt)

Number of Teeth	Type	De	Dp	Df	Dm	Di	F	L	d	Weight Kg
22	2F	54.65	56.02	60.0	43.0	-	95.0	105	12	1.55
24	2F	59.75	61.12	67.0	45.0	-	95.0	105	12	1.90
26	2F	64.84	66.21	70.0	50.0	-	95.0	105	12	2.25
28	2F	70.08	71.30	75.0	50.0	-	95.0	105	16	2.55
30	2F	75.13	76.39	83.0	55.0	-	95.0	105	16	3.00
32	2F	80.16	81.49	87.0	60.0	-	95.0	105	16	3.57
34	2F	85.22	86.58	91.0	70.0	-	95.0	105	16	4.00
36	2F	90.30	91.67	97.0	70.0	-	95.0	105	16	4.50
38	2F	95.39	96.77	102.0	75.0	-	95.0	105	16	4.90
40	2F	100.49	101.86	106.0	75.0	-	95.0	105	16	5.20
44	2F	110.67	112.05	120.0	75.0	-	95.0	105	18	6.60
48	2F	120.86	122.23	128.0	80.0	-	95.0	105	18	7.60
56	2F	141.23	142.60	150.0	90.0	-	95.0	105	18	9.80
64	6F	161.60	162.97	168.0	100.0	137	95.0	95	20	10.40
72	6F	181.97	183.35	192.0	100.0	158	95.0	95	20	11.40
80	7	202.35	203.72	-	110.0	180	95.0	95	20	13.20
90	7	227.81	229.18	-	110.0	204	95.0	95	20	16.30
112	7	283.83	285.21	-	110.0	260	95.0	95	25	21.50
144	7	365.32	366.69	-	110.0	341	95.0	95	25	23.60
168	7	426.44	427.81	-	120.0	402	95.0	95	25	26.10
192	7	487.55	488.92	-	130.0	463	95.0	95	25	30.60



14mm Pitch 14M-40 (40mm Wide Belt)

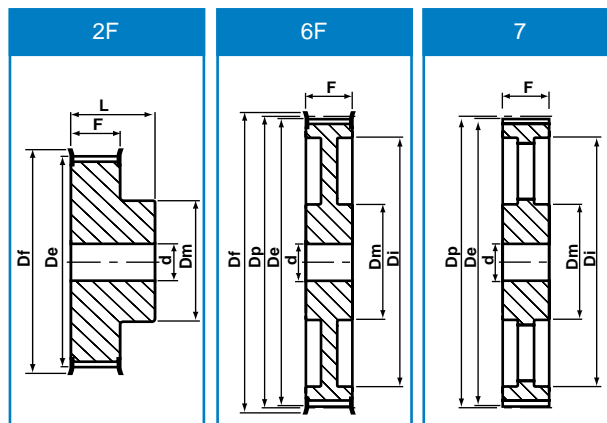
Number of Teeth	Type	De	Dp	Df	Dm	Di	F	L	d	Weight Kg
28	2F	122.12	124.78	128.0	100.0	-	54.0	69	24	4.73
29	2F	126.57	129.23	142.0	100.0	-	54.0	69	24	5.09
30	2F	130.99	133.69	142.0	100.0	-	54.0	69	24	5.45
32	2F	139.88	142.60	158.0	100.0	-	54.0	69	24	6.17
34	2F	148.79	151.52	158.0	100.0	-	54.0	69	24	6.88
36	2F	157.68	160.43	168.0	100.0	-	54.0	69	24	7.60
38	2F	166.60	169.34	184.0	120.0	-	54.0	69	24	8.28
40	2F	175.49	178.25	192.0	120.0	-	54.0	69	24	9.26
44	2F	193.28	196.08	211.0	120.0	-	54.0	69	24	10.32
48	3F	211.11	213.90	226.0	135.0	172	54.0	69	24	11.50
56	3F	246.76	249.55	265.0	135.0	207	54.0	69	28	13.05
64	3F	282.41	285.21	296.0	135.0	242	54.0	69	28	14.40
72	5	318.06	320.86	-	135.0	278	54.0	69	28	16.90
80	5	353.71	356.51	-	135.0	314	54.0	69	28	18.50
90	5	398.28	401.07	-	135.0	358	54.0	69	28	20.00
112	5	496.32	499.11	-	135.0	456	54.0	69	28	26.70
144	5	638.92	641.71	-	135.0	600	54.0	69	28	35.00
168	5	745.87	748.66	-	135.0	706	54.0	69	28	44.20
192	5	852.82	855.62	-	135.0	813	54.0	69	28	52.20
216	5	959.76	962.57	-	150.0	920	54.0	69	28	60.00

Every effort has been taken to ensure that the data listed in this catalogue is correct. Challenge accepts no liability for any inaccuracies or damage caused. All dimensions in millimetres unless otherwise stated.

HTD® Pilot Bore

14mm Pitch 14M-55 (55mm Wide Belt)

Number of Teeth	Type	De	Dp	Df	Dm	Di	F	L	d	Weight Kg
28	2F	122.12	124.78	128.0	100.0	-	70.0	85	24	5.60
29	2F	126.57	129.23	142.0	100.0	-	70.0	85	24	6.10
30	2F	130.99	133.69	142.0	100.0	-	70.0	85	24	6.60
32	2F	139.88	142.60	158.0	100.0	-	70.0	85	24	7.60
34	2F	148.79	151.52	158.0	100.0	-	70.0	85	24	8.60
36	2F	157.68	160.43	168.0	100.0	-	70.0	85	24	9.60
38	2F	166.60	169.34	184.0	120.0	-	70.0	85	24	10.80
40	2F	175.49	178.25	192.0	120.0	-	70.0	85	24	11.20
44	2F	193.28	196.08	211.0	120.0	-	70.0	85	24	12.50
48	6F	211.11	213.90	226.0	135.0	172	70.0	70	24	13.70
56	6F	246.76	249.55	265.0	135.0	207	70.0	70	28	14.50
64	6F	282.41	285.21	296.0	135.0	242	70.0	70	28	15.60
72	7	318.06	320.86	-	135.0	278	70.0	70	28	16.90
80	7	353.71	356.51	-	135.0	314	70.0	70	28	20.00
90	7	398.28	401.07	-	135.0	358	70.0	70	28	22.60
112	7	496.32	499.11	-	135.0	456	70.0	70	28	29.50
144	7	638.92	641.71	-	135.0	600	70.0	70	28	39.00
168	7	745.87	748.66	-	135.0	706	70.0	70	28	48.50
192	7	852.82	855.62	-	135.0	813	70.0	70	28	57.80
216	7	959.76	962.57	-	150.0	920	70.0	70	28	67.0



14mm Pitch 14M-85 (85mm Wide Belt)

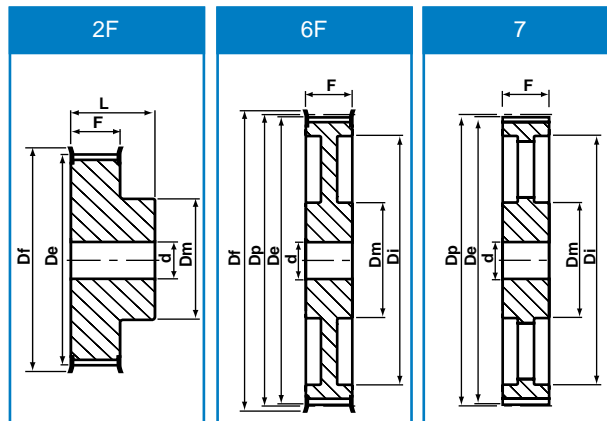
Number of Teeth	Type	De	Dp	Df	Dm	Di	F	L	d	Weight Kg
28	2F	122.12	124.78	128.0	100.0	-	102.0	117	24	7.70
29	2F	126.57	129.23	142.0	100.0	-	102.0	117	24	8.40
30	2F	130.99	133.69	142.0	100.0	-	102.0	117	24	9.10
32	2F	139.88	142.60	158.0	100.0	-	102.0	117	24	10.50
34	2F	148.79	151.52	158.0	100.0	-	102.0	117	24	11.90
36	2F	157.68	160.43	168.0	100.0	-	102.0	117	32	13.20
38	2F	166.60	169.34	184.0	120.0	-	102.0	117	32	15.15
40	2F	175.49	178.25	192.0	135.0	-	102.0	117	32	17.10
44	2F	193.28	196.08	211.0	135.0	-	102.0	117	32	23.30
48	2F	211.11	213.90	226.0	150.0	-	102.0	117	32	25.00
56	6F	246.76	249.55	265.0	150.0	207	102.0	102	32	25.00
64	6F	282.41	285.21	296.0	150.0	242	102.0	102	32	30.50
72	7	318.06	320.86	-	150.0	278	102.0	102	32	28.80
80	7	353.71	356.51	-	150.0	314	102.0	102	32	30.10
90	7	398.28	401.07	-	150.0	358	102.0	102	32	33.00
112	7	496.32	499.11	-	150.0	456	102.0	102	32	41.80
144	7	638.92	641.71	-	150.0	600	102.0	102	32	52.40
168	7	745.87	748.66	-	150.0	706	102.0	102	32	60.30
192	7	852.82	855.62	-	165.0	813	102.0	102	32	70.20
216	7	959.76	962.57	-	165.0	920	102.0	102	32	81.00

All dimensions in millimetres unless otherwise stated. Every effort has been taken to ensure that the data listed in this catalogue is correct. Challenge accepts no liability for any inaccuracies or damage caused

HTD® Pilot Bore

14mm Pitch 14M-115 (115mm Wide Belt)

Number of Teeth	Type	De	Dp	Df	Dm	Di	F	L	d	Weight Kg
28	2F	122.12	124.78	128.0	100.0	-	133.0	148	32	9.20
29	2F	126.57	129.23	142.0	100.0	-	133.0	148	32	10.20
30	2F	130.99	133.69	142.0	100.0	-	133.0	148	32	11.20
32	2F	139.88	142.60	158.0	100.0	-	133.0	148	32	13.20
34	2F	148.79	151.52	158.0	100.0	-	133.0	148	32	14.80
36	2F	157.68	160.43	168.0	100.0	-	133.0	148	32	16.60
38	2F	166.60	169.34	184.0	120.0	-	133.0	148	32	19.20
40	2F	175.49	178.25	192.0	135.0	-	133.0	148	32	20.56
44	2F	193.28	196.08	211.0	140.0	-	133.0	148	32	21.93
48	2F	211.11	213.90	226.0	150.0	-	133.0	148	32	25.00
56	2F	246.76	249.55	265.0	150.0	-	133.0	148	32	27.50
64	6F	282.41	285.21	296.0	150.0	242	133.0	133	32	30.10
72	7	318.06	320.86	-	150.0	278	133.0	133	32	32.83
80	7	353.71	356.51	-	150.0	314	133.0	133	32	35.55
90	7	398.28	401.07	-	150.0	358	133.0	133	32	41.00
112	7	496.32	499.11	-	150.0	456	133.0	133	32	54.40
144	7	638.92	641.71	-	165.0	600	133.0	133	32	67.80
168	7	745.87	748.66	-	165.0	706	133.0	133	32	75.80
192	7	852.82	855.62	-	165.0	813	133.0	133	32	88.30
216	7	959.76	962.57	-	165.0	920	133.0	133	32	98.00



14mm Pitch 14M-170 (170mm Wide Belt)

Number of Teeth	Type	De	Dp	Df	Dm	Di	F	L	d	Weight Kg
28	2F	122.12	124.78	128.0	100.0	-	187.0	202	32	13.80
29	2F	126.57	129.23	142.0	100.0	-	187.0	202	32	14.20
30	2F	130.99	133.69	142.0	100.0	-	187.0	202	32	15.60
32	2F	139.88	142.60	158.0	100.0	-	187.0	202	32	18.10
34	2F	148.79	151.52	158.0	100.0	-	187.0	202	32	20.40
36	2F	157.68	160.43	168.0	120.0	-	187.0	202	32	23.50
38	2F	166.60	169.34	184.0	135.0	-	187.0	202	32	26.50
40	2F	175.49	178.25	192.0	135.0	-	187.0	202	32	30.10
44	2F	193.28	196.08	211.0	160.0	-	187.0	202	32	37.80
48	2F	211.11	213.90	226.0	160.0	-	187.0	202	32	44.50
56	2F	246.76	249.55	265.0	160.0	-	187.0	202	32	61.00
64	2F	282.41	285.21	296.0	180.0	-	187.0	202	32	81.00
72	6	318.06	320.86	-	180.0	278	187.0	187	32	61.40
80	6	353.71	356.51	-	180.0	314	187.0	187	32	65.00
90	7	398.28	401.07	-	180.0	358	187.0	187	38	68.00
112	7	496.32	499.11	-	200.0	456	187.0	187	38	87.50
144	7	638.92	641.71	-	220.0	600	187.0	187	38	114.00
168	7	745.87	748.66	-	220.0	706	187.0	187	38	125.00
192	7	852.82	855.62	-	220.0	813	187.0	187	38	136.40
216	7	959.76	962.57	-	220.0	920	187.0	187	38	147.00

Every effort has been taken to ensure that the data listed in this catalogue is correct. Challenge accepts no liability for any inaccuracies or damage caused. All dimensions in millimetres unless otherwise stated.

HTD® Pilot Bore

20mm Pitch 20M-115 (115mm Wide Belt)

Number of Teeth	Type	De	Dp	Df	Dm	Di	F	L	d	Weight Kg
34	2F	212.13	216.45	240.0	165.0	-	136.5	168.5	32	
36	2F	224.87	229.18	250.0	178.0	-	136.5	168.5	32	
38	2F	237.60	241.92	265.0	181.0	-	136.5	168.5	32	
40	2F	250.33	254.56	275.0	203.0	-	136.5	168.5	32	
44	2F	275.79	280.11	300.0	210.0	-	136.5	168.5	32	
48	2F	301.26	305.88	325.0	228.0	-	136.5	168.5	32	
52	2F	326.72	331.04	350.0	228.0	-	136.5	168.5	32	
56	2F	352.19	356.51	375.0	228.0	-	136.5	168.5	32	
60	3F	377.65	381.97	405.0	228.0	318	136.5	168.5	38	
64	3F	403.12	407.44	430.0	228.0	343	136.5	168.5	38	
68	3F	428.58	432.90	455.0	228.0	366	136.5	168.5	38	
72	5F	454.05	458.37	480.0	228.0	435	136.5	168.5	38	
80	5F	504.98	509.30	530.0	280.0	445	136.5	168.5	38	
90	5F	568.64	572.96	595.0	280.0	508	136.5	168.5	38	
112	5	708.70	713.01	-	280.0	648	136.5	168.5	38	
144	5	912.41	916.73	-	300.0	852	136.5	168.5	44	
168	5	1065.21	1069.52	-	300.0	1005	136.5	168.5	44	
192	5	1218.00	1222.31	-	300.0	1158	136.5	168.5	48	
216	5	1370.78	1375.10	-	300.0	1300	136.5	168.5	48	

